

FibreIRS Active splitter

Fibre Integrated Reception System

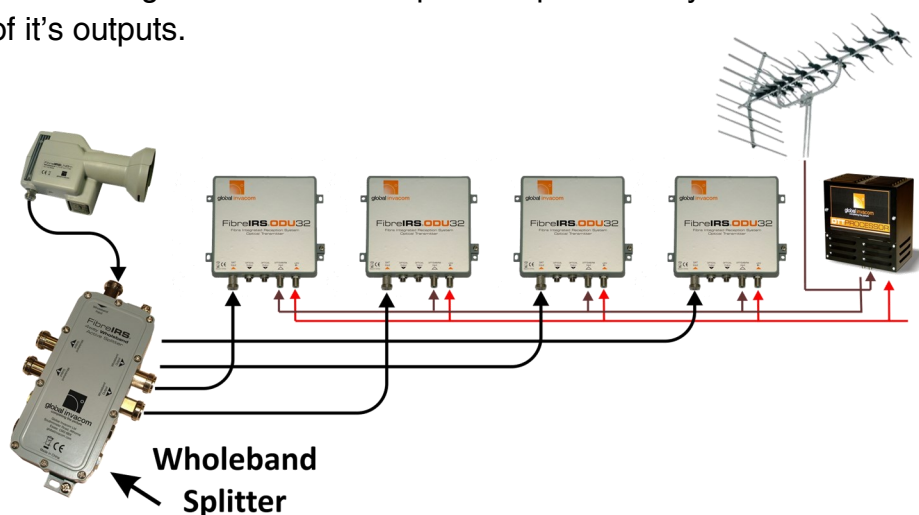


global **invacom**
completing the picture

- Equally splits Wholeband input to 4 outputs
- Fully weatherproof (IP65)
- Built-in slope compensation



Fully weatherproof, the FibreIRS 4 way active splitter is designed to increase the capacity of new or existing FibreIRS ODU32 systems. With 4 x ODU32 connected a total of 256 dwellings can be fed from a single headend. The splitter is powered by one of the ODU32 units connected on any of it's outputs.



Technical Specifications

Product Part No.

FibreIRS Wholeband active splitter F101831

RF specification			
Parameter	Min	Max	Notes
Input frequency range	0.95-5.45GHz		V Pol 0.95-3.0GHz H Pol 3.4-5.45GHz
Nominal impedance	50Ω		
Return loss	9.0dB		
Nominal gain: 0.95 – 3.0 GHz	0dB ±1dB		Includes 1dB upward slope.
3.4 – 5.45 GHz	0 to 1dB ±1dB		
Gain flatness: V Pol		2dB	Includes 1dB upward slope.
H Pol		3dB	
Gain ripple across 30MHz		0.5dB	
Noise figure		22dB	
Isolation between any two outputs	20 dB		

FibreIRS Active splitter

Fibre Integrated Reception System



global **invacom**
completing the picture

DC Specification

Power supply voltage	6.2V±0.1	Fed through any of the output ports.
Current consumption	<230mA	

Environmental specification

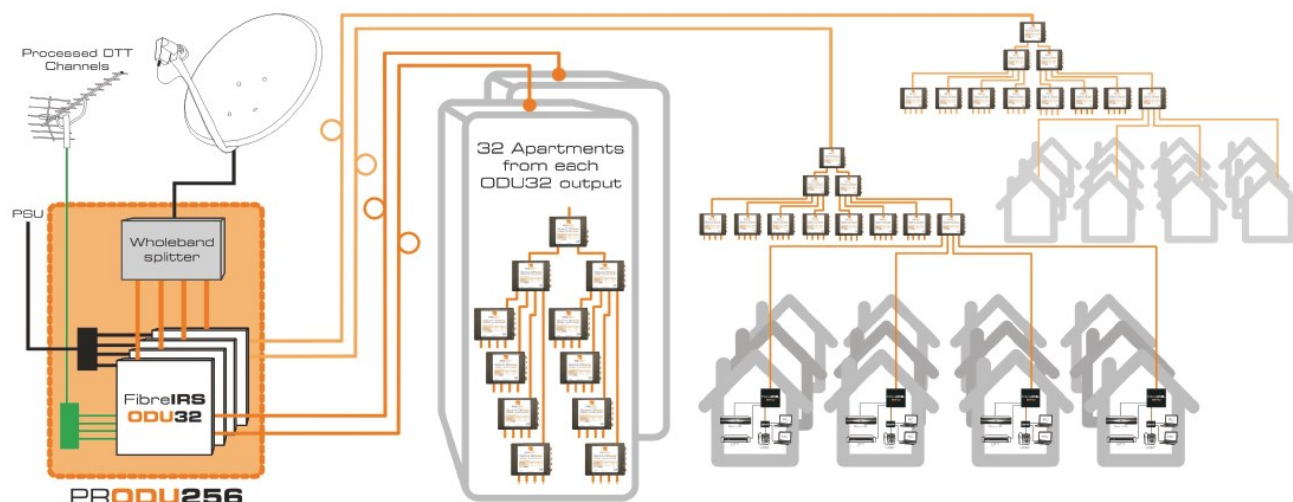
Operating	-30 to 65°C
Storage	-40 to 70°C

Dimensions

Size	66 x 162 x 32 mm
Weight	0.61kg

Connectors

Port	Type
LNB input	N
4x split outputs	N



A minimum of two ODU32's can be connected at a time.

There is no preference to the order of output ports to be used.

For optimal system performance it is recommend un-used ports are terminated.

Global Invacom will only support systems that are installed using

GI - approved fibre cabling & system components

Note: Specifications subject to change without notice

Global Invacom Ltd. Freeman House, John Roberts Business Park, Pean Hill, Canterbury, Kent CT5 3BJ
Email: sales@globalinvacom.com

GIDS07062012MPACTIVE SPLITTER01

globalinvacom.com