



Fibre Redundancy Switch

F-RS2x1/AFC/PC

The fibre redundancy switch detects RF and optical power outages and switches automatically between two inputs with an adjustable delay for the forward switch and the switching back. The unit has two LEDs showing the currently operating antenna.

The switch can be adjusted to different RF input power levels to work with a variety of fibre systems, such as the Global Professional GPS Fibre Link, TVRO Fibre Link or commercial fibre solutions.



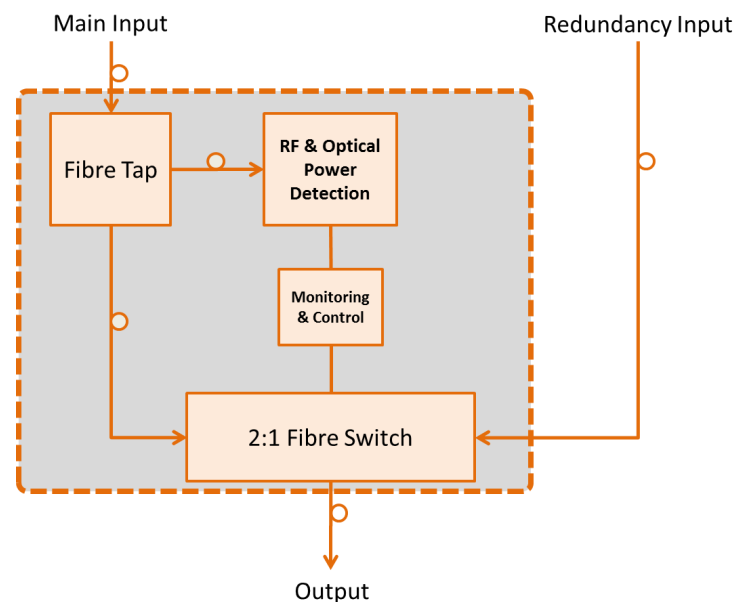
RF over Fibre

Switch Characteristics

Parameter	Typical Operation	Notes
Operating Wavelength	1310nm	Maximum bounds for wavelength: 1260nm - 1650nm
RF Frequency Range	50MHz - 2150MHz	
Insertion Loss	1.2dB	
Switch Time (Main to Redundancy)	≤15ms	Adjustable option (0s, 10s, 20s, 30s, 50s or 70s)
Switch Time (Redundancy to Main)	30s	Adjustable option (0s, 10s, 20s, 30s, 50s or 70s)
RF Power switching threshold	-30dBm	Adjustable from -20dBm to -40dBm
Lifetime Switching Cycles	≥10 ⁷	

Connectors, DC & Dimensions

Input	2x Fibre Optic FC/PC
Output	1x Fibre Optic FC/PC
Power supply	2.1mm Jack
DC Voltage & Current	11V - 20V @140mA
Size	222 x 98 x 40mm
Weight	1.2kg
Fibre type	Single mode
Operating temperature	-20 to 55°C
Storage temperature	-20 to 65°C



**All systems are designed and built to order.
Please contact us to discuss if you have differing requirements.**