

Features

- Suitable For Direct Burial
- LSZH
- 2 - 6 Fibres
- Hi Impact None Metallic Armouring
- ITU-T G657a Optical Fibre
- UV Resistance Black Jacket
- FRP rods and E-glass yarn for rodent resistance
- Colour Coded Fibres

2 to 6 fibre ITU-T G.657A1 reduced bend sensitivity single mode 250µm single loose tube light duty non metallic armoured internal/external rodent resistant duct and direct burial and drop cable.

The single loose tube cable consists of 2 to 6, 250 µm optical fibres in a single gel filled loose tube with water blocking E-glass non metallic strength members. Ripcord for jacket removal and black LSZH (Low Smoke Zero Halogen) jacket with dual opposed embedded FRP (Fibre Reinforced Plastic) armour rods.

No	1	2	3	4	5	6
Colour	Blue	Orange	Green	Brown	Grey	White

Product Part No.

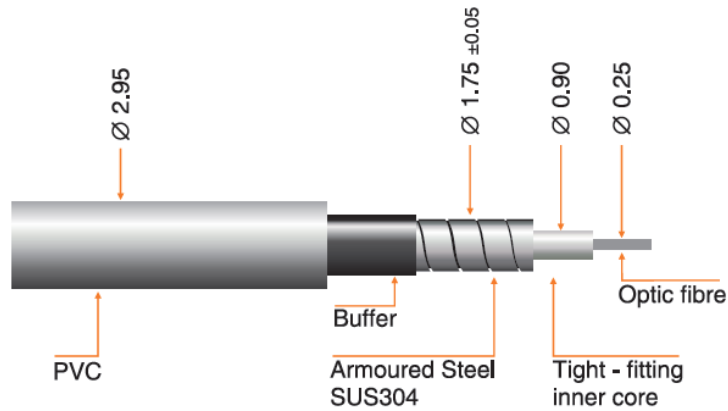
GI—5.75 Direct Burial Fibre	F7710**
-----------------------------	---------

Optical specification

Smoke Emission	IEC 61034-1 & 2
Flammability	IEC 60332-1
Toxicity	IEC 60754-1
Acid gas emission	IEC 60754-2

Fibre specifications

Parameter	Unit	Value
Crush	N/100mm	2000
Strength member		0.9 mm FRP x 2
Storage temperature	°C	-30 to 70
Installation temperature	°C	-30 to 70
Operating temperature	°C	-30 to 70
Nominal weight	kg/km	43
Fibre count	n	2, 4, & 6
Nominal outer diameter	mm	5.8 ± 0.2
Maximum tensile load	N	600
Minimum bend radius	mm	Installed 58
Minimum bend radius	mm	Loaded 90



Features

- Suitable for indoor/outdoor use
- LSZH
- Lengths from 1m to 500m
- ITU-T G657a Optical Fibre
- Available in un-terminated or pre-terminated lengths
- 3mm outer diameter

3mm ITU-T G.657A reduced bend sensitivity single mode armoured internal/external drop cable.



Product Part No.	
GI—3mm armoured cable	F700***

DC specifications		
Parameter	Unit	Value
Crush	N	3000
Storage temperature	°C	-40 to +80
Operating temperature	°C	-15 to +75
Nominal weight	kg/km	11.4
Nominal outer diameter	mm	2.95 ± 0.2
Maximum tensile load	N	500
Concussion	Nm	4.5 (5 times)
Minimum bend radius	mm	15