

# FibreIRS ODU32

Fibre Integrated Reception System

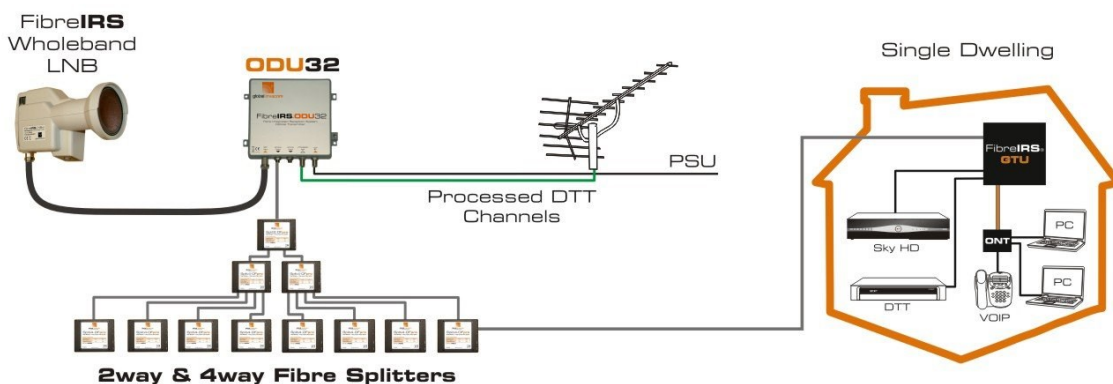


- Combines Wholeband LNB & DTT/DAB/FM signals
- Distributes signals to 64 outlets via two 32 way PONs
- Fully weatherproof (IP65)
- PSU, mast strap & mounting bracket included
- 10km reach\*



Fully weatherproof, the ODU32 is designed for mounting at the antenna location. It accepts and combines signals from the Wholeband LNB and digital terrestrial antennae (DTT/DAB/FM) which then modulates a laser inside the ODU32. Two optical outputs (FC/PC) are provided for distribution through a Passive Optical Network (PON) of FibreIRS Optical Splitters. Each output of the ODU32 can feed a PON of 32 points or with reduced splits support a reach of 10km. Different FibreIRS GTU's can be connected at any point (Quad, Quatro & DTT/DAB/FM available).

\* Subject to PON losses



## Technical Specifications

Product Part No.	
ODU32	F101938
ODU32 Kit	F101720

Satellite (Electrical)			
Parameter	Min	Max	Notes
RF frequency range			
Vertical polarisation (V pol)	0.95-3.0GHz		
Horizontal polarisation (H pol)	3.4-5.45GHz		
Nominal impedance	50Ω		
Return loss	9dB		
Gain variation across : V pol		4dB	
: H pol		7dB	

# FibreIRS ODU32

Fibre Integrated Reception System



**global invacom**  
completing the picture

DTT, DAB and FM (Electrical)			
RF frequency range			
DTT	470-862MHz		
DAB	174-240MHz		
FM	88-108MHz		
Nominal impedance	75Ω		
Return loss	10dB		
Total Input power range	67dBμV	97dBμV	DAB power levels need to be set 12dB below DTT FM power level needs to be same as DTT
Recommended DTT Input	70dBμV		For 6 multiplexes
Gain variation across band		4dB	
950-2150MHz rejection	15dB		

FM,DAB,DTT and Satellite (Optical)			
Laser optical wavelength	1310nm±20		
Laser optical power	6.5 dBm	7.5dBm	

DC specification			
Input voltage range	12V to 20V		
LNB supply voltage	6.2V±0.2V	Fed through satellite input	
Terrestrial supply voltage	11.5±0.5V	Output from terrestrial port	
Max terrestrial supply current	<80mA		
Current consumption	<500mA	Including Wholeband LNB	

Connectors	
Output	Fibre Optic FC/PC
Satellite input	N
DTT/DAB/FM	F
Power supply	F

Dimensions	
Size	140 x 145 x 30 mm
Weight	300g

Environmental Specification	
Operating temperature	-10 to 50°C
Storage temperature	-30 to 60°C

Optical cabling	
Fibre type	Single mode
Standard	GI - approved G657a

Laser Classification	
Class 1M	

**Global Invacom will only support systems that are installed using**

**GI - approved fibre cabling & system components**

Note: Specifications subject to change without notice